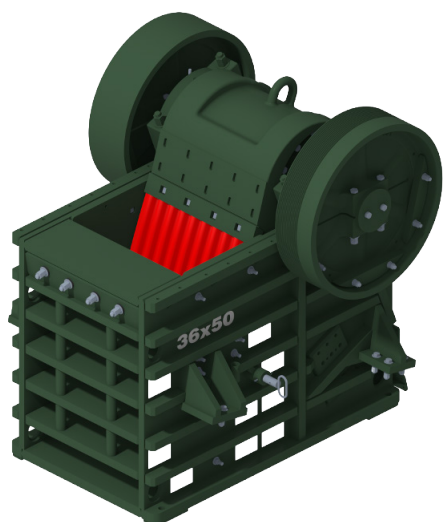


HEAVY-DUTY JAW CRUSHER

THE **3650j** EASILY CONSUMES
THE TOUGHEST MATERIAL.



The 3650j jaw crusher, driven by a powerful 250HP motor, is engineered for demanding applications where reliability and throughput matter most. Its reinforced, stress-relieved frame—combined with oil bath lubrication, oversized shafts and bearings, and balanced flywheels—delivers consistent performance and long service life under extreme loads.

Standard Features

- High-capacity, 36" x 50" jaw crusher, powered by 250HP electric drive
- Hand-welded, rugged frame with heavy-ribbed steel plate construction at stress points
- Optimized lubrication with metered oil flow and constant filtration
- Rugged, oversized taper roller bearings and forged alloy shafts
- Extensive safety features, including pitman service pin, jaw die and cheek plate removal

Options

- Optional hydraulic toggle or taper wedge lock systems for tool-free CSS adjustment
- Available drive configuration with sheave and flywheel guards
- Mounting outriggers available for 10-degree installations

LIPPMANN

3650j-w TECHNICAL SPECIFICATIONS

SPECIFICATIONS		
	US	METRIC
Jaw Crusher (gape x width)	36" x 50"	914mm x 1270mm
Crusher RPM	220	220
Maximum Feed Size	29"	736mm
Minimum Closed Side Setting	3.5"	89mm
Maximum Closed Side Setting	14"	356mm
Feeder Size	51" x 24'	1295mm x 7315mm
Grizzly Length	6'	1829mm
Discharge Conveyor Width (optional)	56"	1372mm

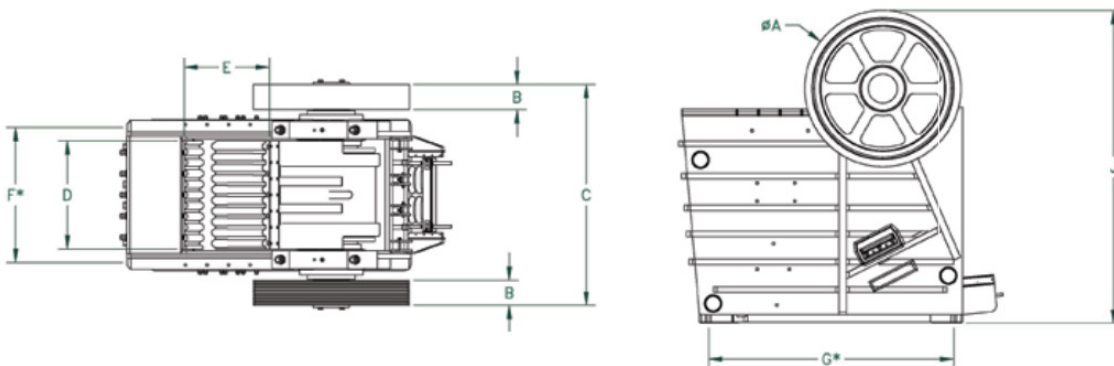
HORSEPOWER	
	HP
Jaw Crusher	250
Vibrating Grizzly Feeder	60
Discharge Conveyor (optional)	25
Autolube System (optional)	1
Hydraulic Toggle System (optional)	7.5
Taper Wedge Lock System (optional)	1.5

JAW CRUSHER DIMENSIONS

	A	B	C	D	E	F*	G*	H'	J	MOUNTING BOLT DIAMETER	CRUSHER WEIGHT
Inches	Inches mm	Inches mm	Inches mm	Inches mm	Inches mm	Inches mm	Inches mm	Inches mm	Inches mm	Inches mm	lbs kg
36X50	60 1524	16 413	102 2578	50 1270	36 914	63 1600	103 1219	82 2083	119 3023	2 52	92,000 41,730

JAW CRUSHER CAPACITIES

GAPE X WIDTH Inches mm	HP (Electric Drive Motor)	RPM	HYDRAULIC TOGGLE OR MANUAL TOGGLE PLATE OPTION					MANUAL TOGGLE PLATE OPTION ONLY							
			CLOSED SIDE SETTING (CSS) INCHES [MM]												
			Inches mm	3 77	3.5 89	4 102	4.5 115	5 127	6 153	7 178	8 204	10 254	12 305	14 356	
36 X 50 920 X 1270	250	220	STPH MTPH		342-375 310-340	375-468 340-425	421-527 382-478	468-573 425-520	573-661 520-600	661-750 600-680	750-926 680-840	927-1136 841-1031	1135-1246 1030-1130	1177-1316 1068-1194	



AUTHORIZED DISTRIBUTOR

LIPPMANN

3271 East Van Norman Avenue
Cudahy, WI 53110

LippmannCrushers.com

800-648-0486