

3650j-w TECHNICAL SPECIFICATIONS

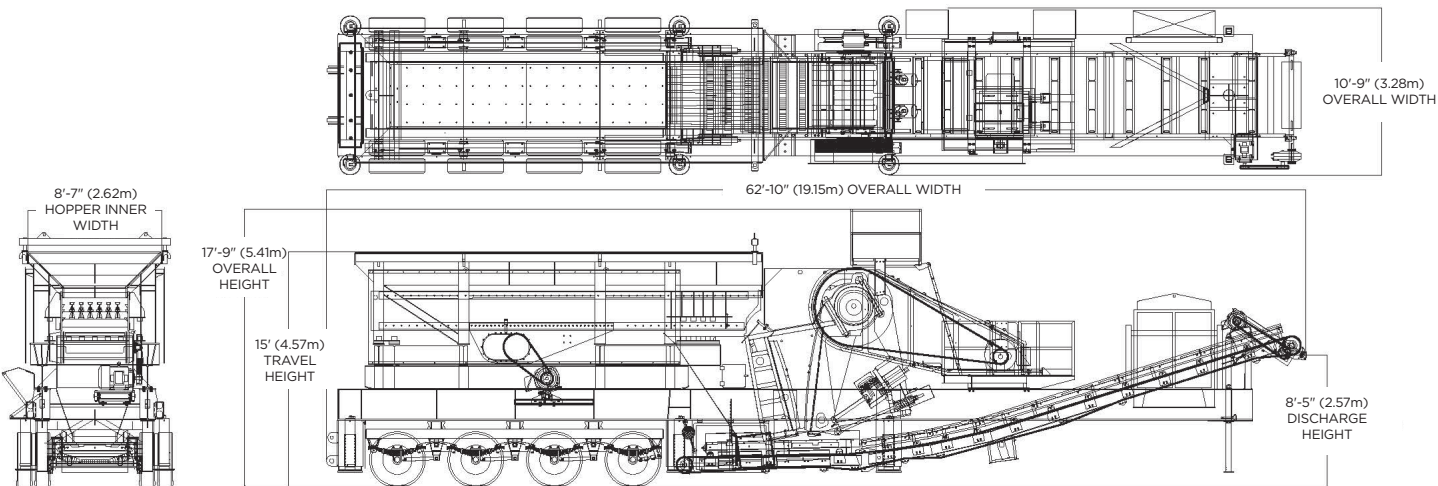
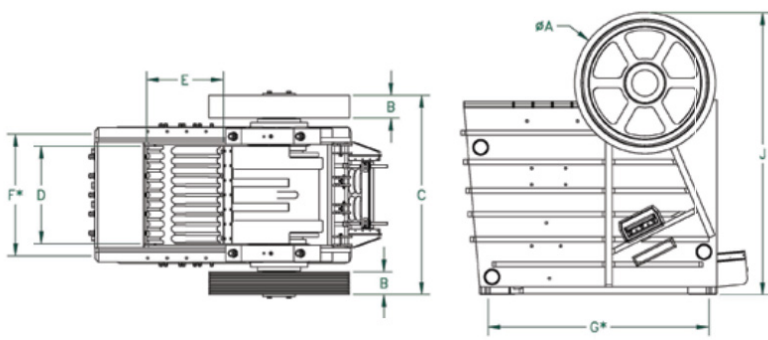
3650j-w

SPECIFICATIONS	SPECIFICATIONS	
	US	METRIC
Jaw Crusher (gape x width)	36" x 50"	914mm x 1270mm
Crusher RPM	220	220
Maximum Feed Size	29"	736mm
Minimum Closed Side Setting	3.5"	89mm
Maximum Closed Side Setting	14"	356mm
Feeder Size	51" x 24'	1295mm x 7315mm
Grizzly Length	6'	1829mm
Discharge Conveyor Width (optional)	56"	1372mm

HORSEPOWER	
	HP
Jaw Crusher	250
Vibrating Grizzly Feeder	60
Discharge Conveyor (optional)	25
Autolube System (optional)	1
Hydraulic Toggle System (optional)	7.5
Taper Wedge Lock System (optional)	1.5

TRANSPORTATION*		
	LBS	KGS
Tires	80R22.5	80R22.5
Rear Axle	75,000	34,019
King Pin	73,500	33,339
Tag Axle	20,000	9,072
TOTAL AXLE WEIGHT	168,500	76,430
Weight of Feeder and Hopper Module	52,250	23,700
TOTAL WEIGHT	220,750	100,131

*With hopper extensions, upper platform



WHEELED JAW PLANT

THE **3650j-w** DOMINATES THE HARSHTEST APPLICATIONS.



LIPPMANN

3271 East Van Norman Avenue
Cudahy, WI 53110

1 McCloskey Road
Peterborough, ON K9J 0G6
Canada

LippmannCrushers.com

800-648-0486

AUTHORIZED DISTRIBUTOR

LIPPMANN

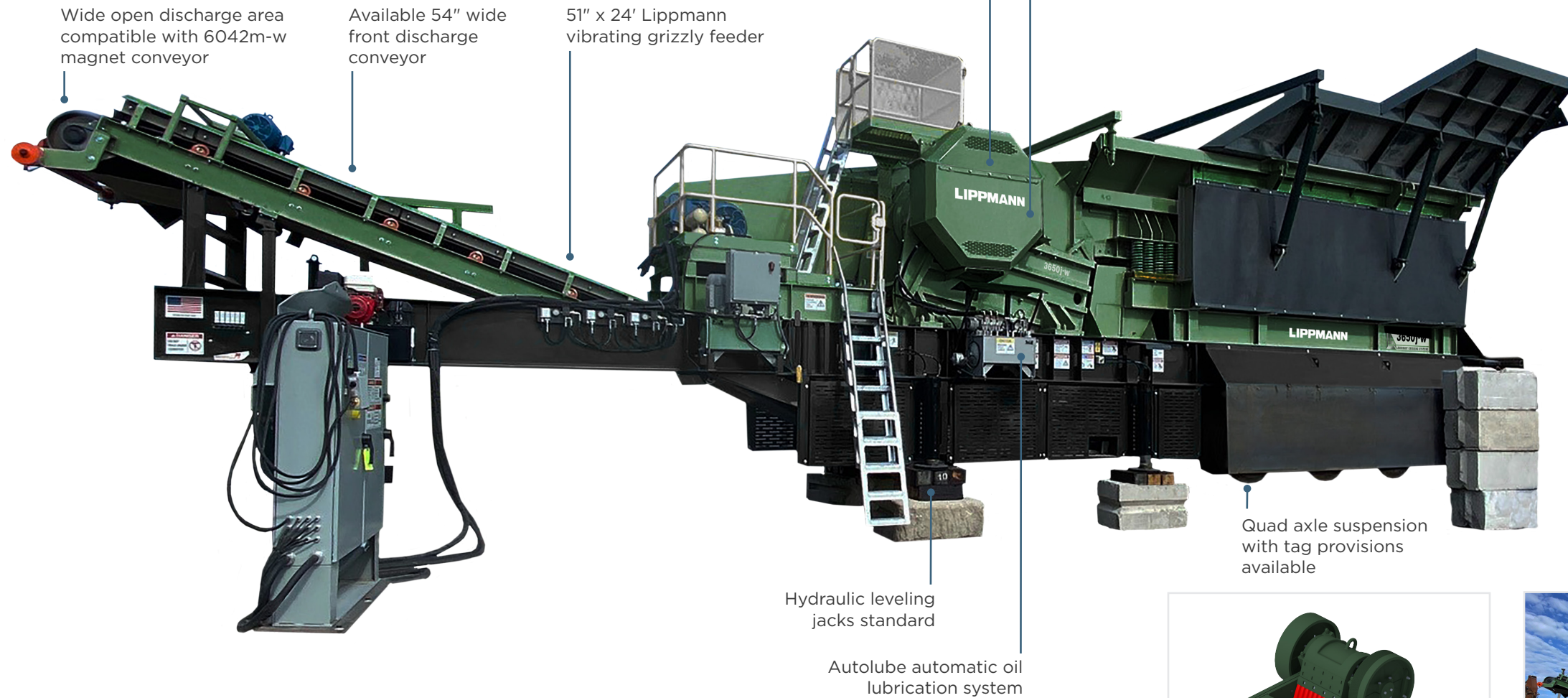
Wheeled Jaw Plant

3650j-w

Powered by a heavy-duty 250HP jaw crusher, the rugged 3650j-w is built to take on the toughest hard-rock crushing applications. Its extra-wide feeder and high-performance vibrating grizzly allow larger material to flow smoothly into the chamber while removing fines, maximizing capacity and minimizing unnecessary wear.

With industry-leading safety features standard and a wide range of configurable options, the 3650j-w delivers safe, efficient performance tailored to any site or application—from aggregates and mining to recycling.

High capacity 36" x 50" Lippmann jaw crusher designed for hard rock applications



JAW CRUSHER DIMENSIONS

	A	B	C	D	E	F*	G*	H'	J	MOUNTING BOLT DIAMETER	CRUSHER WEIGHT
Inches	Inches	Inches	Inches	Inches	Inches	Inches	Inches	Inches	Inches	Inches	lbs
mm	mm	mm	mm	mm	mm	mm	mm	mm	mm	mm	kg
36X50	60 1524	16 413	102 2578	50 1270	36 914	63 1600	103 1219	82 2083	119 3023	2 52	92,000 41,730

JAW CRUSHER CAPACITIES

GAPE X WIDTH Inches mm	HP (Electric Drive Motor)	RPM	HYDRAULIC TOGGLE OR MANUAL TOGGLE PLATE OPTION					MANUAL TOGGLE PLATE OPTION ONLY						
			CLOSED SIDE SETTING (CSS) INCHES [MM]											
			Inches mm	3 77	3.5 89	4 102	4.5 115	5 127	6 153	7 178	8 204	10 254	12 305	14 356
36 X 50 920 X 1270	250	220	STPH MTPH		342-375 310-340	375-468 340-425	421-527 382-478	468-573 425-520	573-661 520-600	661-750 600-680	750-926 680-840	927-1136 841-1031	1135-1246 1030-1130	1177-1316 1068-1194



Check out our new podcast—part of the Lippmann Academy training program—designed to build product knowledge and operational confidence around crushing and screening, safety, and performance.



LISTEN NOW

STANDARD FEATURES

- High-capacity, 36" x 50" jaw crusher, powered by 250HP electric drive
- Extra-wide 62" feeder with 6' vibrating grizzly feeder section
- Large-capacity hopper over 9' wide and 20' long
- Premium, optimized lubrication and oil filtration system
- Hydraulic leveling jacks
- Extensive, built-in safety features throughout

OPTIONS

- Optional 54" front discharge conveyor
- Choice of standard toggle plate, taper wedge lock system, or hydraulic toggle
- Multiple hopper wing extensions available up to 19' tip to tip at the rear
- Quad axle suspension with tag provisions and hydraulic hopper removal system
- Electric Nema control panel available



Jaw Construction:
The Lippmann 3650j is built strong, with a heavy steel frame and tough components designed to handle hard rock and heavy workloads. Its smooth-running bearings, balanced flywheels, and oil-bath lubrication system help keep the machine running reliably with less maintenance.



Safety:
The Lippmann 3650j is built with safety features that make maintenance quick, controlled, and worry-free. Tool-free CSS adjustments and smart lifting points help your crew stay safe while keeping the crusher running strong.



Rugged Lippmann feeder is capable of handling side or rear loading from various types of equipment.