

# CRUSHERS

LIPPMANN



For your most demanding applications, rely on Lippmann's full line of versatile crushing equipment. Meticulously engineered to achieve the lowest cost per ton of material produced in aggregate, mining, and recycling, Lippmann offers best-in-class reliability at an outstanding value.

From delivery to training to service and beyond, our expert team will help ensure your operation is always running at peak performance. No one in the crushing industry stands behind their product quite like Lippmann.

**LIPPMANN**

**LEGENDARY CRUSHING SYSTEMS**



# JAW CRUSHERS

Applications: Primary

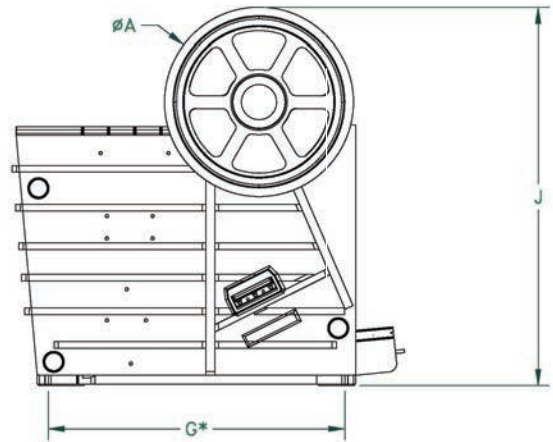
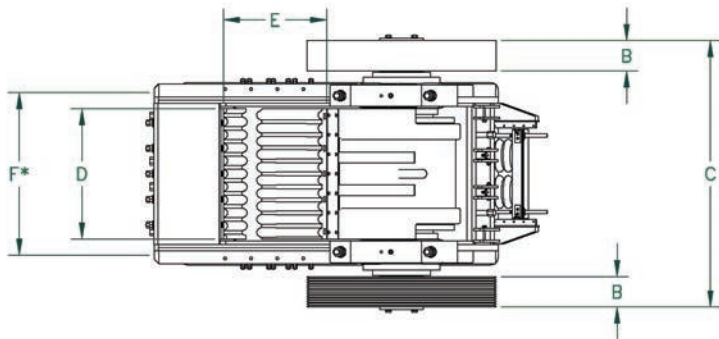
Industries: Aggregate, Mining, Recycling

Mounting: Portable Plant, Mobile Plant, Skid, Stationary, Bare

Our world-renowned jaws lie at the core of Lippmann's product offering and have been manufactured in Milwaukee, WI, since 1923. Fabricated with extra-heavy ribbed steel plate construction, Lippmann jaw crushers have proven time and again they provide maximum strength, durability, and reliability at the lowest cost of ownership in the industry.



Frames are stress-relieved before machining to ensure uniform heavy-duty strength and trouble-free operation on a stout, easy-to-move truck frame. Jaw crushers also feature an oversized shaft, tapered roller bearings, reversible jaw dies, and an oil-bath lubrication system.



## FEATURES

- Heavy-duty, oversized heat-treated shafts forged of special alloy to handle overloads and hard material
- Radial thrust tapered roller bearings—the best design for absorbing and withstanding shock, radial, and thrust loads
- Longer jaw length to provide increased crushing area, steeper nip angle and increased capacity
- Curved jaw dies to provide non-choking crushing action, reversible for increased wear
- Rugged frame with heavy-ribbed steel plate construction at stress points, stress relieved by heat treating before machining
- Inside contact surfaces are fully machined
- Lubrication easily checked; positive oil-level gauges assure correct lubrication of bearings
- Protected pitman hub with rock rib
- Cheek plates are one-piece or two-piece for easy replacement
- Positive setting adjustment shims provide easy change of discharge opening with aid of hydraulic pumps
- Extension wedges hold jaw dies rigidly across full width
- Dynamically balanced flywheels reduce vibration
- Toggle plate is set at an optimum angle for maximum crushing

# JAW CRUSHER DIMENSIONS

	A	B	C	D	E	F*	G*	H <sup>1</sup>	J	MOUNTING BOLT DIAMETER	CRUSHER WEIGHT
Inches	Inches mm	Inches mm	Inches mm	Inches mm	Inches mm	Inches mm	Inches mm	Inches mm	Inches mm	Inches mm	lbs kg
30x48	60 1524	16 413	98 2489	48 1219	30 762	61 1549	84 2134	70 1778	105 2667	2 52	64,200 29,121
30x55	54 1372	14 356	97 2451	55 1397	30 762	72 1829	83 2108	37 949	108 2731	2 39	57,500 26,082
30x62	60 1524	16 413	110 2794	62 1575	30 762	73 1854	92 2337	64 1613	99 2508	2 52	73,000 33,112
34X47	60 1500	15 380	94 2380	47 1194	34 864	76 1928	95 2400	73 1850	107 2700	11/16 18	61,710 27,990
36X50	60 1524	16 413	102 2578	50 1270	36 914	63 1600	103 1219	82 2083	119 3023	2 52	92,000 41,730
38x62	68 1727	21 533	122 3092	62 1575	38 965	73 1854	103 2616	82 2083	124 3137	2 52	117,250 53,184
39x51	63 1600	18 448	105 2644	51 1296	39 991	78 1980	109 2765	88 2220	131 3320	1 25	88,516 40,150
42x48	68 1727	21 533	111 2826	48 1219	42 1067	61 1549	114 2896	106 2680	148 3747	2 52	130,000 58,967
50x62	87 2210	14 356	123 3124	62 1575	50 1270	77 1956	137 3470	119 3032	3032 4423	3 64	218,000 98,883

\*Dimension denotes crusher mounting hole centers.

<sup>1</sup> Dimension is from bottom of mounting surface to top of feed side of crusher frame  
(Jaw can be mounted flat or tipped, drawing to confirm orientation is recommended).

# JAW CRUSHER CAPACITIES

GAPE X WIDTH Inches mm	HP (Electric Drive Motor)	RPM	HYDRAULIC TOGGLE OR MANUAL TOGGLE PLATE OPTION								MANUAL TOGGLE PLATE OPTION ONLY					
			CLOSED SIDE SETTING (CSS) INCHES													
			Inches mm	2 51	3 76	4 102	5 127	6 152	7 178	8 203	9 229	10 254	11 279	12 305	13 330	14 356
30 X 48 770 X 1220	200	230	STPH MTPH			226-259 205-235	259-303 235-275	303-378 275-343	339-417 308-378	378-454 343-412	455-531 445-491	594-659 539-598	659-755 598-685			
30 X 55 770 X 1400	200	230	STPH MTPH			250-300 227-272	288-345 261-313	345-415 313-377	400-480 363-435	420-500 381-454	500-600 454-544	600-715 544-650	720-860 653-780			
30 X 62 770 X 1580	200	220	STPH MTPH			220-243 200-220	280-309 254-280	337-375 306-340	399-421 362-382	420-463 381-420	491-541 445-491	570-628 517-570	650-717 590-650	799-882 725-800		
34 X 47 870 X 1200	200	230	STPH MTPH		215-295 195-268	260-360 236-327	315-435 286-395	375-515 340-467	430-595 390-540							
36 X 50 920 X 1270	250	220	STPH MTPH				342-375 310-340	375-468 340-425	421-527 382-478	468-573 425-520	573-661 520-600	661-750 600-680	750-926 680-840	927-1136 841-1031	1135-1246 1030-1130	1177-1316 1068-1194
38 X 62 970 X 1580	250 300	210	STPH MTPH				372-424 337-385	408-468 370-425	459-527 416-478	510-586 463-532	624-713 566-647	720-823 653-747	816-936 740-849	1008-1149 914-1042	1236-1397 1121-1267	1356-1559 1230-1414
39 X 51 990 X 1300	250	220	STPH MTPH			300-405 272-367	360-490 327-445	420-575 381-522	480-660 435-599	540-745 490-676	660-915 599-830					
42 X 48 1070 X 1220	250	210	STPH MTPH				386-489 350-444	441-550 400-499	489-595 444-540	599-689 543-625	688-780 624-708	788-966 715-876	966-1177 876-1068	1069-1178 970-1069	1176-1309 1067-1188	
50 X 62 1270 X 1580	300 350	190	STPH MTPH							600-650 544-590	700-775 635-703	850-915 771-830	980-1088 889-987	1199-1301 1088-1180	1400-1499 1270-1360	1599-1700 1451-1542

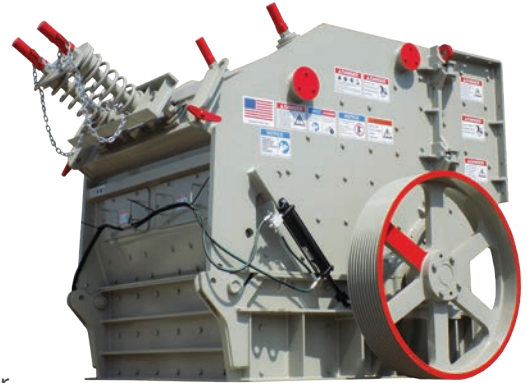
# IMPACT CRUSHERS

Applications: Primary, Secondary

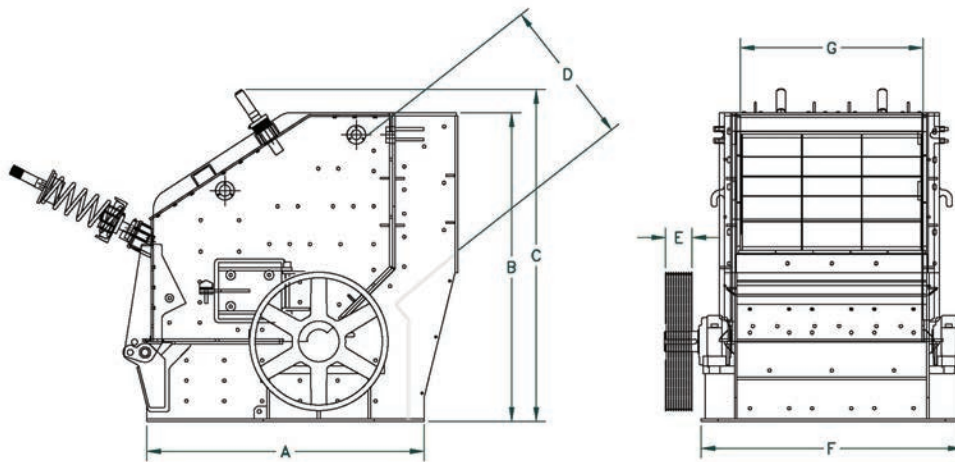
Industries: Aggregate, Mining, Recycling

Mounting: Wheeled Plant, Tracked Plant, Skid, Stationary, Bare

Proven in a variety of applications and materials, Lippmann impact crushers stand up to the most demanding aggregate, mining and recycling operations. Crush a wide range of materials like limestone, dolomite, gravel, basalt, copper reverts, concrete, and asphalt without losing strength or efficiency.



Whether portable, stationary, or skid-mounted, these rugged impact crushers provide consistently high production at an incredible value. For optimal throughput, impact crushers are equipped with Lippmann grizzly feeders and engineered for your most critical crushing scenarios.



## FEATURES

- Andreas-type impact crusher design
- Produces highly cubical product
- High ratio of reduction
- Hammers have four crushing positions to maintain a more constant gradation and greater top-size control
- No weld buildup required on wear surfaces
- Less capital outlay than competitive crushers
- High degree of product size control
- Wear components have long life due to advanced metallurgy
- One gravity and one spring-loaded curtain with optional third curtain allow easy adjustment from exterior of crusher
- 3- or 4-bar option
- Maintenance through inspection doors or by hydraulically opened hood (electric/hydraulic power unit is standard)
- Optional feed chute designs allow impactor to be fed from three sides with a stacking conveyor
- Skid-type units offering low-profile fold-up legs and ample platform area are available if looking to avoid high permanent structure costs and for easy relocation
- Ideal for portable mounting

## IMPACT CRUSHER DIMENSIONS

		A	B	C	D *	E	F	G *	WEIGHT lbs Kg
4248i-s	Inches	75	72	84	24	6	70	50	19,500
	mm	1911	1829	2134	610	147	1772	1257	8845
4248i-p	Inches	75	84	90	35	7	71	50	24,000
	mm	1911	2134	2286	876	183	1797	1257	10886
5165i-s	Inches	79	91	99	31	7	89	67	35,800
	mm	2000	2311	2515	775	180	2261	1689	16239
5165i-x	Inches	88	96	104	40	12	91	67	47,000
	mm	2229	2438	2642	1003	295	2299	1689	21319
5165i-p	Inches	88	96	104	40	12	91	67	49,000
	mm	2229	2438	2642	1003	295	2299	1689	22226
5196i-s	Inches	89	91	100	31	7	123	98	60,500
	mm	2261	2311	2540	775	180	3118	2477	27442
5860i-p	Inches	106	111	112	48	9	89	62	63,000
	mm	2680	2819	2845	1207	238	2248	1562	28576

\* Dimension denotes crusher feed opening.

## IMPACT CRUSHER CAPACITIES

	HP (Electric Drive Motor)	CAPACITY		MAXIMUM FEED SIZE					MINIMUM SETTING	NUMBER OF HAMMER ROWS
					LIMESTONE	GRAVEL	ASPHALT	CONCRETE		
4248i-s	200-250	170-240	STPH	Inches	20	12	20	20	2	3 or 4
		155-218	MTPH	mm	508	305	508	508	38	
4248i-p	250-300	170-260	STPH	Inches	23	12	28	28	2	3 or 4
		155-236	MTPH	mm	584	305	711	711	44	
5165i-s	300-350	230-365	STPH	Inches	31	16	34	34	2	4
		210-331	MTPH	mm	787	406	864	864	38	
5165i-x	300-400	225-425	STPH	Inches	31	16	34	34	2	4
		204-385	MTPH	mm	787	406	864	864	51	
5165i-p	300-500	250-450	STPH	Inches	31	16	34	34	2	4
		227-408	MTPH	mm	787	406	864	864	51	
5196i-s	250-300	380-700	STPH	Inches	25	14	25	25	2	4
		254-635	MTPH	mm	635	356	635	635	38	
5860i-p	400-450	400-1000	STPH	Inches	40	18	42	40	3	4
		363-907	MTPH	mm	1016	457	1067	1016	64	

# CONE CRUSHERS

Applications: Secondary, Tertiary, Quaternary

Industries: Aggregate, Mining

Mounting: Portable Plant, Mobile Plant, Skid

Lippmann cone crushers push the boundaries of industry performance and round out our crusher portfolio. A revolutionary combination of crusher speed, throw, and cavity design offers higher capacity and superior product quality for a wider range of applications.

With high-material capacity and throughput, large stockpile capacity, and operator-friendly features, Lippmann cone crushers are ready to take on the heaviest of projects with unrivaled reduction ratios.



## FEATURES

- Bronze bushings used throughout provide superior load capacity in the high-shock, dusty crushing environment
- All components are accessible from the top or the side
- Dual-acting hydraulic tramp release cylinders
- Can be converted from the finest to the coarsest cavity by replacing the mantle, bowl liner, adapter ring and wedge bolts
- Hydraulic motors rotate the bowl for fine control setting adjustments
- Advanced liner retention technology increase reliability
- Excellent wear protection of all crusher components

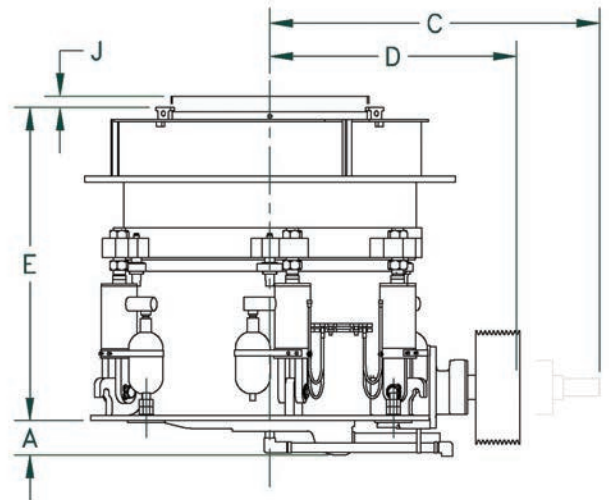
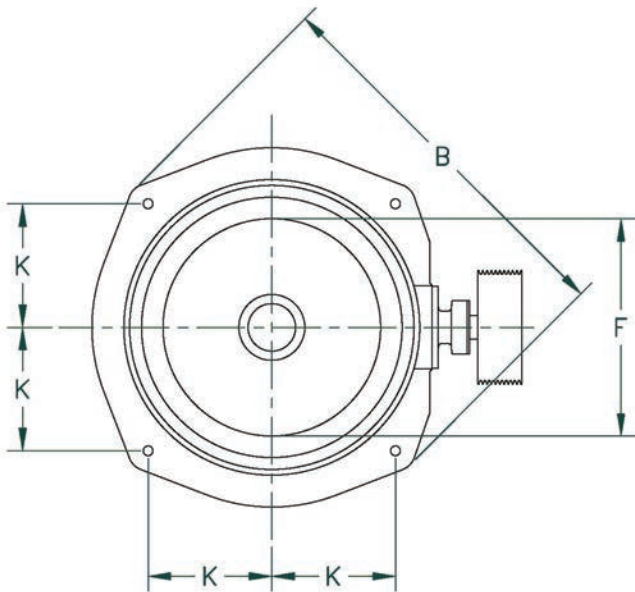
## WEIGHTS - COMPLETE CONE CRUSHER AND ASSEMBLIES

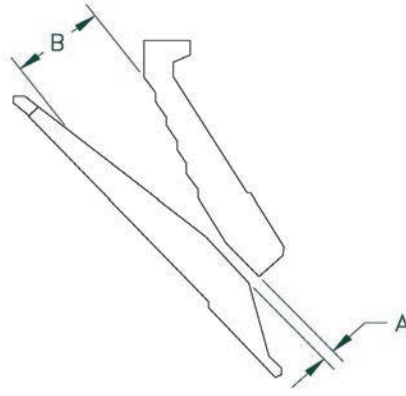
SIZE		200c	300c	400c
Crusher Complete	lbs Kg	22,960 10,400	33,490 15,810	50,600 23,000
Bowl, Bowl Liner, Adj. Cap. Hopper	lbs Kg	5,915 2,680	7,765 3,525	10,575 4,800
Head Mantle and Feed Plate	lbs Kg	2,650 1,200	4,550 2,060	7,130 3,240
Maximum Recommendation Power	HP kW	200 132	300 200	400 315
Countershaft Speed-RPM	RPM	750-1,200	700-1,200	700-1,000



# CONE CRUSHER CLEARANCE DIMENSIONS

SIZE		200c	300c	400c
A - To bottom of oil piping	Inches mm	11-11/16" 297 mm	12-15/16" 328 mm	9-1/2" 240 mm
B - Adjustment ring maximum diameters	Inches mm	76-7/8" 1952 mm	86-7/8" 2,207 mm	93-3/8" 2,370 mm
C - Clearance required for removing countershaft assembly	Inches mm	72-7/76" 1,840 mm	79-1/2" 2,020 mm	97-1/4" 2,470 mm
D - To end of countershaft	Inches mm	45-11/16" 1,160 mm	53" 1,347 mm	64-3/4" 1,645 mm
E - Maximum height to top	Inches mm	64-3/4" 1,630 mm	73-7/16" 1,865 mm	80-7/8" 2,055 mm
F - Inside diameter of feed hopper	Inches mm	36" 914 mm	42-7/16" 1,078 mm	51-1/2" 1,308 mm
Clearance required for removing bowl assembly	Inches mm	84-1/4" 2,140 mm	97-1/4" 2,470 mm	104-3/8" 2,650 mm
Clearance required for removing head assembly	Inches mm	84-1/4" 2,165 mm	96-5/8" 2,455 mm	106-3/8" 2,715 mm
J - Additional upward travel of feed hopper during clearing stroke	Inches mm	2-3/4" 70 mm	3-3/8" 85 mm	4-1/8" 150 mm
K - Mounting hole location	Inches mm	21-1/2" 545 mm	26" 660 mm	32-11/16" 830 mm
Main frame discharge opening diameter	Inches mm	48-13/16" 1,240 mm	57-7/8" 1,470 mm	68" 1,726 mm





## CONE CRUSHER CAVITY SELECTION

Crusher Size	Cavity	STANDARD		SHORT HEAD	
		Minimum Setting "A" <sup>1</sup>	Feed Opening "B" <sup>2</sup>	Minimum Setting "A" <sup>1</sup>	Feed Opening "B" <sup>2</sup>
200c	Extra Fine			0.24" / 6 mm	0.39" / 10 mm
	Fine	0.52" / 13 mm	3.74" / 95 mm	0.20" / 5 mm	0.90" / 23 mm
	Medium	0.67" / 17 mm	4.92" / 125 mm	0.24" / 6 mm	2.13" / 54 mm
	Coarse	0.75" / 19 mm	7.28" / 185 mm	0.39" / 10 mm	2.99" / 76 mm
	Extra Coarse				
300c	Extra Fine			0.24" / 6 mm	0.98" / 25 mm
	Fine	0.51" / 13 mm	4.21" / 107 mm	0.24" / 6 mm	0.87" / 22 mm
	Medium	0.67" / 17 mm	5.91" / 150 mm	0.31" / 8 mm	2.09" / 53 mm
	Coarse	0.75" / 19 mm	8.31" / 211 mm	0.39" / 10 mm	3.03" / 77 mm
	Extra Coarse	0.98" / 25 mm	9.17" / 233 mm		
400c	Extra Fine			0.24" / 6 mm	2.05" / 52 mm
	Fine	0.55" / 14 mm	4.37" / 111 mm	0.24" / 6 mm	2.00" / 51 mm
	Medium	0.79" / 20 mm	7.80" / 198 mm	0.31" / 8 mm	2.05" / 52 mm
	Coarse	0.98" / 25 mm	9.92" / 252 mm	0.39" / 10 mm	3.62" / 92 mm
	Extra Coarse	1.18" / 30 mm	11.77" / 299 mm		

1 - The minimum setting is that at which the crusher will operate without causing ring bounce. Depending on the crusher characteristics of the rock, this setting can change.

2 - Feed opening "B" is at a minimum setting "A."

3 - Maximum feed size varies from 80 to 100% of "B" depending on machine size and material.

# CONE CRUSHER PRODUCTION GRADATION AND CAPACITIES

PRODUCT GRADATION TABLE (% PASSING THROUGH SQUARE MESH DEPENDING ON THE SETTING)													
	1/4" / 6	5/16" / 8	3/8" / 10	1/2" / 13	5/8" / 16	3/4" / 19	7/8" / 22	1" / 25	1-1/8" / 28	1-1/4" / 32	1-1/2" / 38	1-3/4" / 45	2" / 51
4" / 100	100	100	100	100	100	100	100	100	100	100	100	100	100
3" / 75	100	100	100	100	100	100	100	100	100	100	100	100	98
2-1/2" / 63	100	100	100	100	100	100	100	100	100	100	99	95	90
2" / 51	100	100	100	100	100	100	100	100	99	98	92	82	68
1-1/2" / 38	100	100	100	100	100	100	100	98	95	90	76	62	50
1-1/4" / 32	100	100	100	100	100	100	95	90	79	69	52	42	36
1" / 25	100	100	100	100	98	94	85	74	60	49	40	33	28
7/8" / 22	100	100	100	100	95	88	76	63	51	42	34	28	25
3/4" / 19	100	100	100	98	92	82	68	57	46	37	30	26	22
5/8" / 16	100	100	99	92	80	69	55	46	36	29	24	20	18
1/2" / 13	100	99	92	78	66	55	43	36	28	22	18	16	14
3/8" / 10	100	93	81	66	55	45	34	30	23	18	15	13	11
5/16" / 8	94	82	69	55	45	37	28	24	19	15	13	11	10
1/4" / 6	82	67	55	43	36	29	22	19	16	12	9	8	7
4 (#5)	65	49	40	32	26	21	16	14	11	9	7	6	5
2 (#8)	40	28	23	17	13	11	8	7	6	4	4	3	3

## CRUSHER CAPACITIES<sup>1</sup>

CLOSED SETTING											
Size	Ton/hour	3/8" 10 mm	1/2" 13 mm	5/8" 16 mm	3/4" 19 mm	7/8" 22 mm	1" 25 mm	1-1/4" 32 mm	1-1/2" 38 mm	1-3/4" 45 mm	2" 51 mm
200c	MTPH	90-120	120-150	140-180	150-190	160-200	170-220	190-235	210-250		
	STPH	100-130	130-165	155-200	165-210	175-220	185-240	210-260	230-275		
300c	MTPH	115-140	150-185	180-220	200-240	220-260	230-280	250-320	300-380	350-440	
	STPH	125-155	165-205	200-240	220-265	240-285	255-310	275-355	330-420	385-485	
400c	MTPH	140-175	185-230	225-280	255-320	275-345	295-370	325-430	360-490	410-560	465-630
	STPH	155-195	205-255	250-310	280-355	305-380	325-410	360-475	395-545	450-625	510-700

1 - Represents capacity through crusher based "instantaneous" product sample.

# LIPPMANN

3271 East Van Norman Avenue  
Cudahy, WI 53110

[Lippmann-Milwaukee.com](http://Lippmann-Milwaukee.com)

800-648-0486

[f](#) [@](#) [in](#) [v](#) LM 0006-1 US