

## TRACKED STACKER

# THE **100st** IS DESIGNED FOR HIGH CAPACITY STOCKPILING



The Lippmann 36" x 100' Tracked Stacker has been designed for high capacity stockpiling operations with on-site track mobility. All units come as standard with diesel power units, hydraulic main lift and hydraulic top fold for a fast on-site setup time. Electric and dual power are available as options based on the best application for the customer's business. The LTS Line is equipped with a radio-controlled track mounted unit. This heavy duty mobile stacker has a 22.5 degree max conveyor angle allowing for the highest stockpiles per conveyor length in the industry. With its durable truss frame, large feed hopper and production capacity up to 800 TPH, the Lippmann 100st stacks up well above the competition. Available with numerous custom options offered to meet each customer's unique requirements.

- 900 mm (36") wide heavy duty 100' long conveyor
- 55 kW (74 hp) T4F diesel Engine
- On-site track mobility
- Large hopper
- Hydraulic folding frame for easy transport
- Fast on-site setup time (5 minutes)
- Abundant service room inside power-pack
- Adjustable hopper height to optimize operational efficiency

# LIPPMANN

# 100st TECHNICAL SPECIFICATIONS

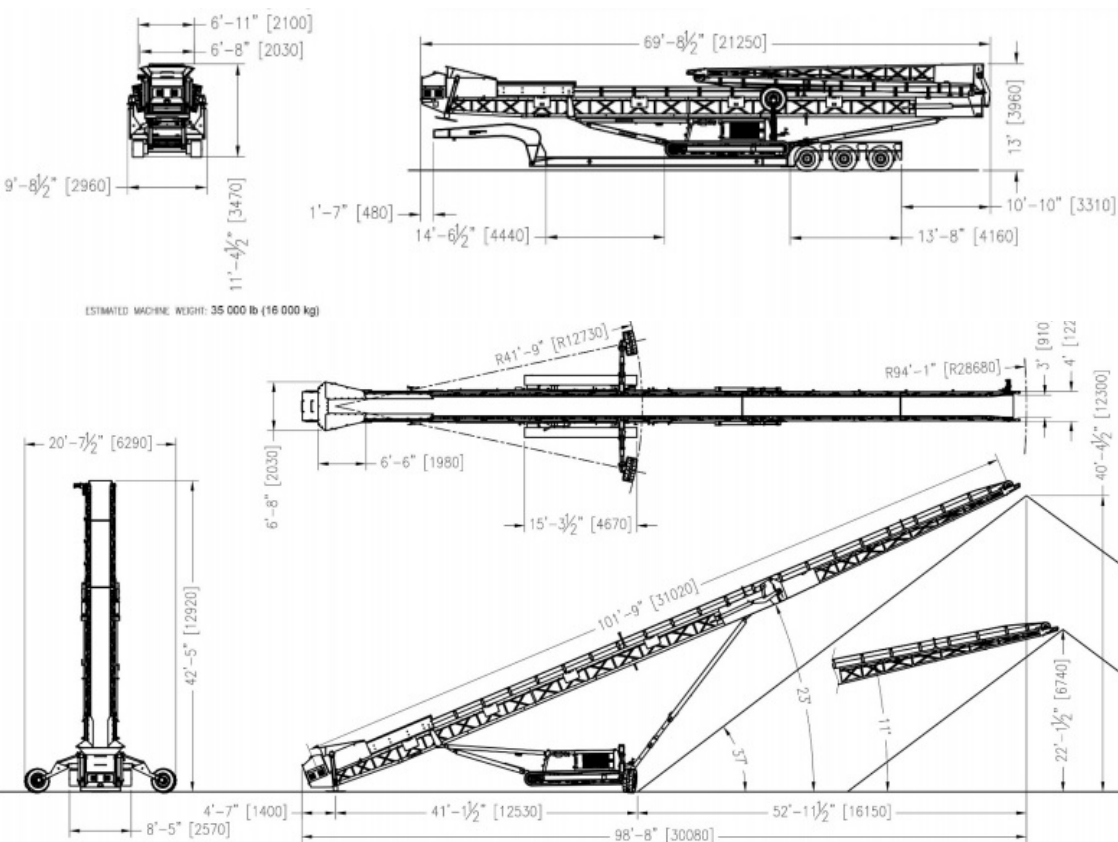
SPECIFICATIONS	
Belt Width	36" (900mm)
Belt Length (Pulley Centers)	100' (30,480mm)
Belt Type	Heavy Duty Plain 3-Ply, 3/16" x 1/16"
Drive Pulley Diameter	14" (355mm)
Tail Pulley Diameter	12" (304mm)
Maximum Belt Speed	548 ft/min. (167 m/min)
Maximum Conveyor Capacity	500 TPH
Diesel Engine Size	74 hp (55.0 kW)
Diesel Tank Capacity	87 US Gallon (330 L)
Hydraulic Tank Capacity	116 US Gallon (440 L)

WORKING DIMENSIONS	
Width	8' 5" (2,570mm)
Length	103' 6-1/2" (31,560mm)
Height	41' 0-1/2" (12,500mm)

TRACK SPECS	
Track Width	1' 3-3/4" (400mm)
Track Length (Center-to-Center)	9' 9" (2,970mm)
Track Height	2' 5" (594mm)
Maximum Speed	0.75 mph (1.2 km/hr.)

WORKING DIMENSIONS (WITH LIFT AXLE OPTION)	
Width	20' 7" (6,280mm)
Length	105' 2" (32,060mm)
Height	43' 8-1/2" (13,320mm)

TRANSPORT DIMENSIONS	
Width	8' 2" (2,490mm)
Length	51' 8" (15,750mm)
Height	11' 3" (3,420mm)
Total Weight (approximate)	27,000 lbs (12,300 kg)



## ADDITIONAL OPTIONS

- Dual power
- Belt scale
- Spray bar
- Chevron belt
- ASGCO scraper
- Impact idlers under hopper
- Magnet material separator
- Lift axle
- Hopper extensions
- Anti-segregation paddle wheel
- Auxiliary guarding
- Hopper wing plates
- Hopper wear plate liner
- Landing gear (standard with pivot point on lift axle machines)
- TimBin - large hopper bin (450ph)

AUTHORIZED DISTRIBUTOR

# LIPPMANN

3271 East Van Norman Avenue  
Cudahy, WI 53110

[Lippmann-Milwaukee.com](http://Lippmann-Milwaukee.com)

800-648-0486