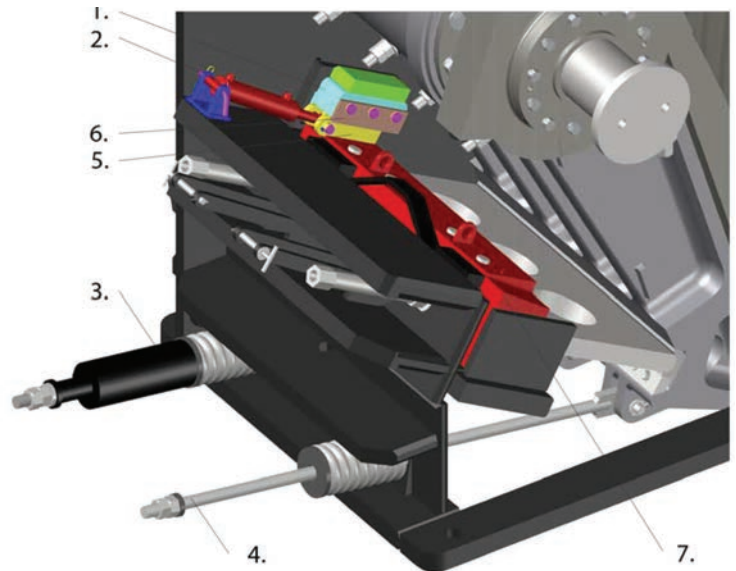


RETROFIT

THE TAPER-LOCK RETROFIT EASES CSS ADJUSTMENTS

New Component List

1. Toggle wedges
2. Two hydraulic taper cylinders
3. Two tension rod cylinders
4. Two tension rods
5. Two tapers
6. Two keeper plates
7. Toggle block (existing toggle blocks can be machined)
8. Hydraulic power unit with control panel (not pictured)



The new Lippmann Taper-Lock Retrofit package makes lengthy, closed-side setting adjustment a thing of the past. This tool-free system allows the operator to add shims to Lippmann manual toggle jaw crushers in a matter of minutes. Increased coverage of the toggle block in extreme settings is an added benefit incorporated in the retrofit design.

CSS Adjustment Procedure

- Switch powerpack control from auto to manual
- Release tension rod cylinders' pressure
- Extend taper cylinders
- Actuate toggle block cylinders, moving block forward
- Retract toggle block cylinders, moving block tight to shims
- Add shims
- Retract taper cylinders
- Pressurize tension rod cylinders
- Switch powerpack control from manual to auto

AUTHORIZED DISTRIBUTOR

3271 East Van Norman Avenue
Cudahy, WI 53110

Lippmann-Milwaukee.com

800-648-0486

LIPPMANN