

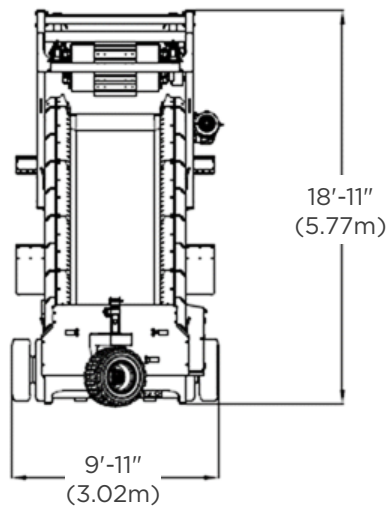
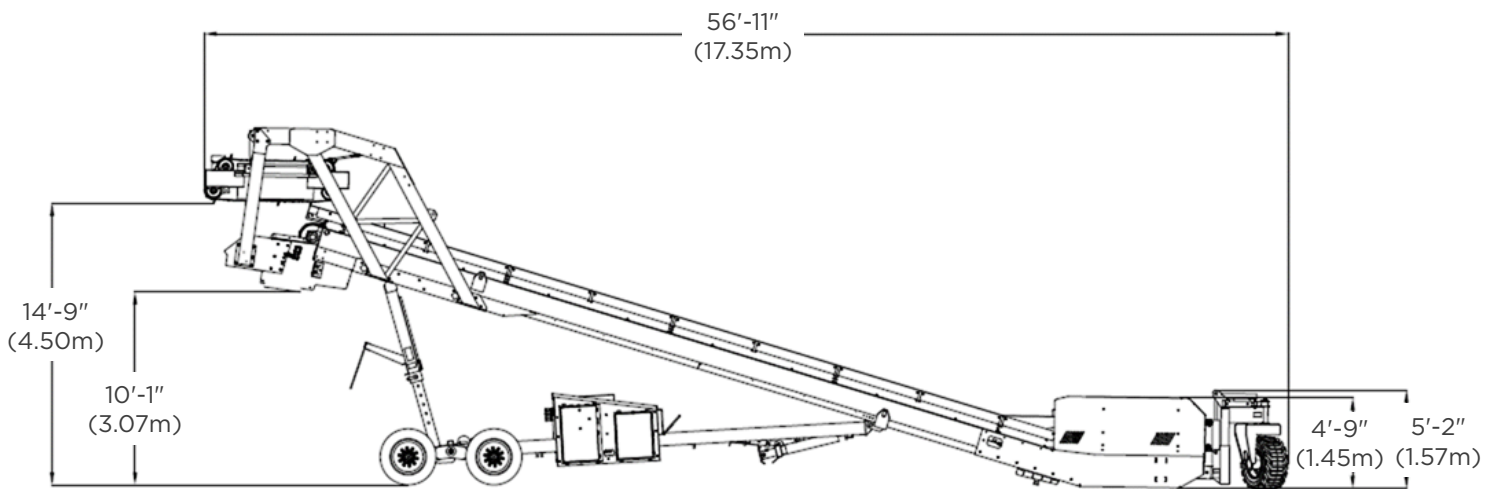
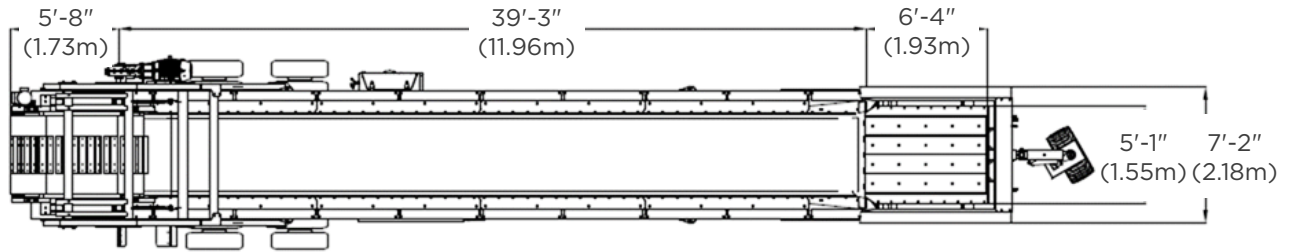
WHEELED MAGNET CONVEYOR

THE **6042m**
PROVIDES SUPERIOR
SORTING CAPABILITIES.



LIPPMANN

6042m WHEELED MAGNET CONVEYOR - WORKING



Wheeled Magnet Conveyor

6042m

Safeguard your equipment and collect unwanted metal with powerful, industrial-strength Lippmann magnet conveyors. Designed for recycling operations and to ensure the purest end product, Lippmann magnet conveyors feature self-cleaning, reinforced belting for minimum maintenance. Special wear alloys and a vibrating pan feeder at feed end provide maximum conveyor protection.



Self-cleaning electro magnet

Side independent walking beam suspension

Lockable 8 hp (6kW) electric start Honda engine, powered by hydraulic power pack

STANDARD FEATURES

- Mounted NEMA control panel
- Push-button controls
- Fully enclosed pan-feeder
- Full side-enclosed conveyor
- Lockable - 8 hp (6kW) electric start Honda powered hydraulic power pack
- Quick connection for drive wheel option
- Side independent walking beam suspension

OPTIONS

- 460V / 575V
- 11R22.5 (Standard) / 315/80R22.5 tires
- Drive wheel tow hook / hydraulic drive wheeled (lever-controlled)
- Closed (go/no go) chute / open discharge magnet frame
- Electrical panel
 - Wired to connection box (standard)
 - Manual removable panel
 - Hydraulic removable panel



Lippmann magnet conveyors are ideal for any application where a magnet is required.

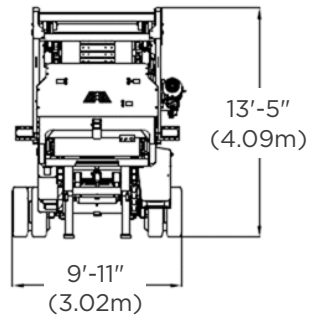
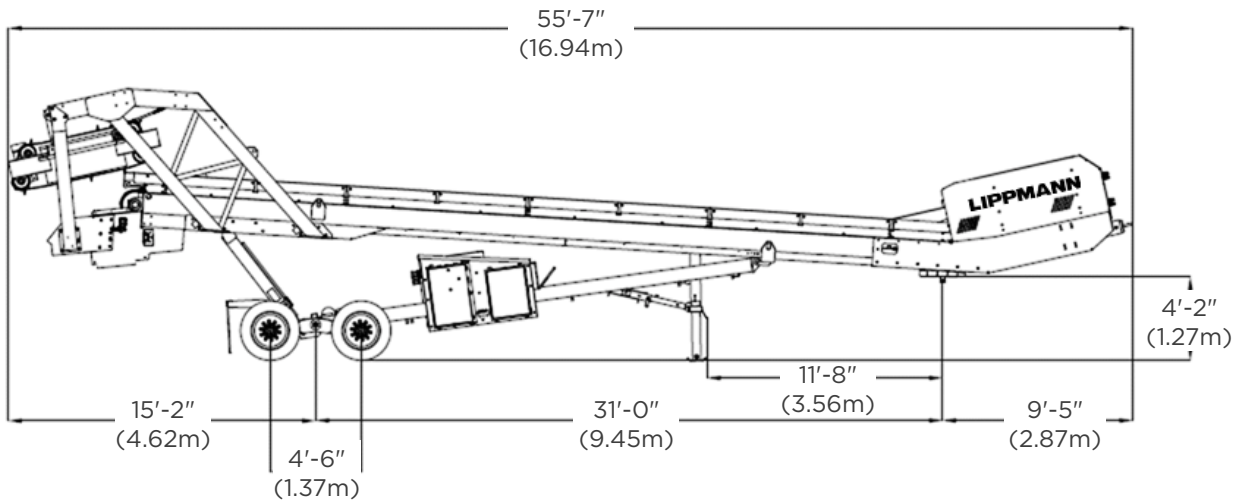
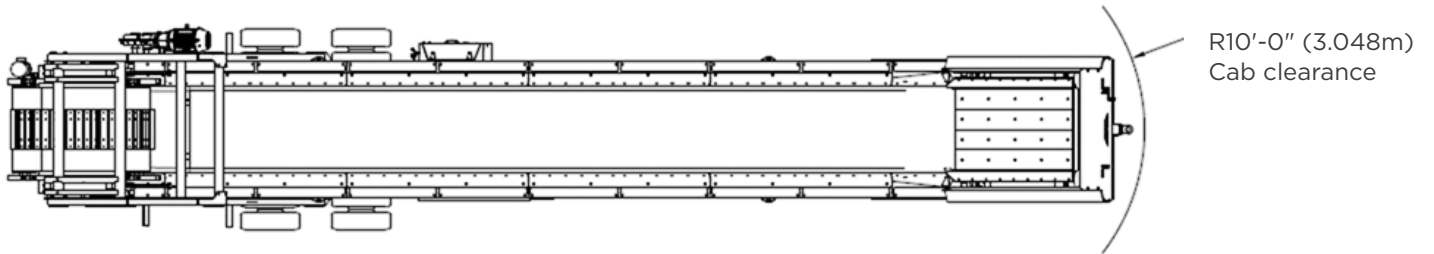


Set up for recycling applications, the conveyor features reinforced belting, special wear alloys, and a vibrating pan feeder.



Lippmann's self-cleaning electro magnet makes quick work of removing metal debris, ensuring your operation runs smoothly and efficiently.

6042m WHEELED MAGNET CONVEYOR - TRANSPORT



60"x42' MAGNET CONVEYOR CALCULATED WEIGHTS

OPTIONS	AXLE		KING PIN		TOTAL	
	LBS	KGS	LBS	KGS	LBS	KGS
With Go/No Go Chute	31,250	14,175	9,250	4,196	40,500	18,370
Open Magnet Discharge	(-1,675)	-760	(+475)	+215	(-1,200)	-544

THE 6042m WHEELED MAGNET CONVEYOR

TECHNICAL SPECIFICATIONS

CONVEYOR DIMENSIONS		
	US	METRIC
Length - Transport	667"	16.942mm
Width - Transport	119"	3.023mm
Height - Transport	161"	4.089mm
Weight - Axle (max)	31,250 lbs	14,175kg
Weight - King Pin (max)	9,250 lbs	4,196kg
TOTAL WEIGHT (MAX)	40,500 lbs	18,370kg

CAPACITIES		
	US GALLON	LITRE
Hydraulic Tank (Chassis)	20	76

PAN FEEDER		
	US	METRIC
Length	78"	1,981mm
Width	48"	1,219mm
Drive x2	Vibrator Motor	
Motor x2	2.5 hp	1.9kW
Adjustable Speed	No	No
Max Speed	1200 rpm	1200 rpm
Stroke	0.4375"	11mm

CONVEYOR		
	US	METRIC
Width	60"	1.524mm
Length	500"	12.700mm
Discharge Height (max)	140"	3.556mm
Belt	3 Ply - 375 PIW	
Drive	90 deg. Gearbox and Motor	
Power	25 hp	18.7kW
Speed	300ft/min	1.52m/sec
Idlers	5" 20 deg. Sealed - 5" Sealed Impact Return	
Head Pulley Diameter	16"	406mm
Tail Pulley Diameter	14"	356mm
Tail Pulley Type	Chevron Wing	
Folding	No	

Additional: Full length flashing

SELF-CLEANING ELECTRO-MAGNET		
	US	METRIC
Width	54"	1.372mm
Length (Belt)	73"	1.854mm
Length (Magnet)	48"	1.219mm
Belt	24"x2-1/2" Stainless Steel Cleated	
Drive	Electric Motor via 90 deg. Gearbox	
Power	5 hp	3.7kW
Speed	450ft/min	2.29m/sec
Speed Adjustment	No	

Additional: Height Adjustment

LIPPMANN

3271 East Van Norman Avenue
Cudahy, WI 53110

Lippmann-Milwaukee.com

800-648-0486

AUTHORIZED DISTRIBUTOR