

ELECTRIC TRACK-MOUNTED JAW CRUSHER PLANT

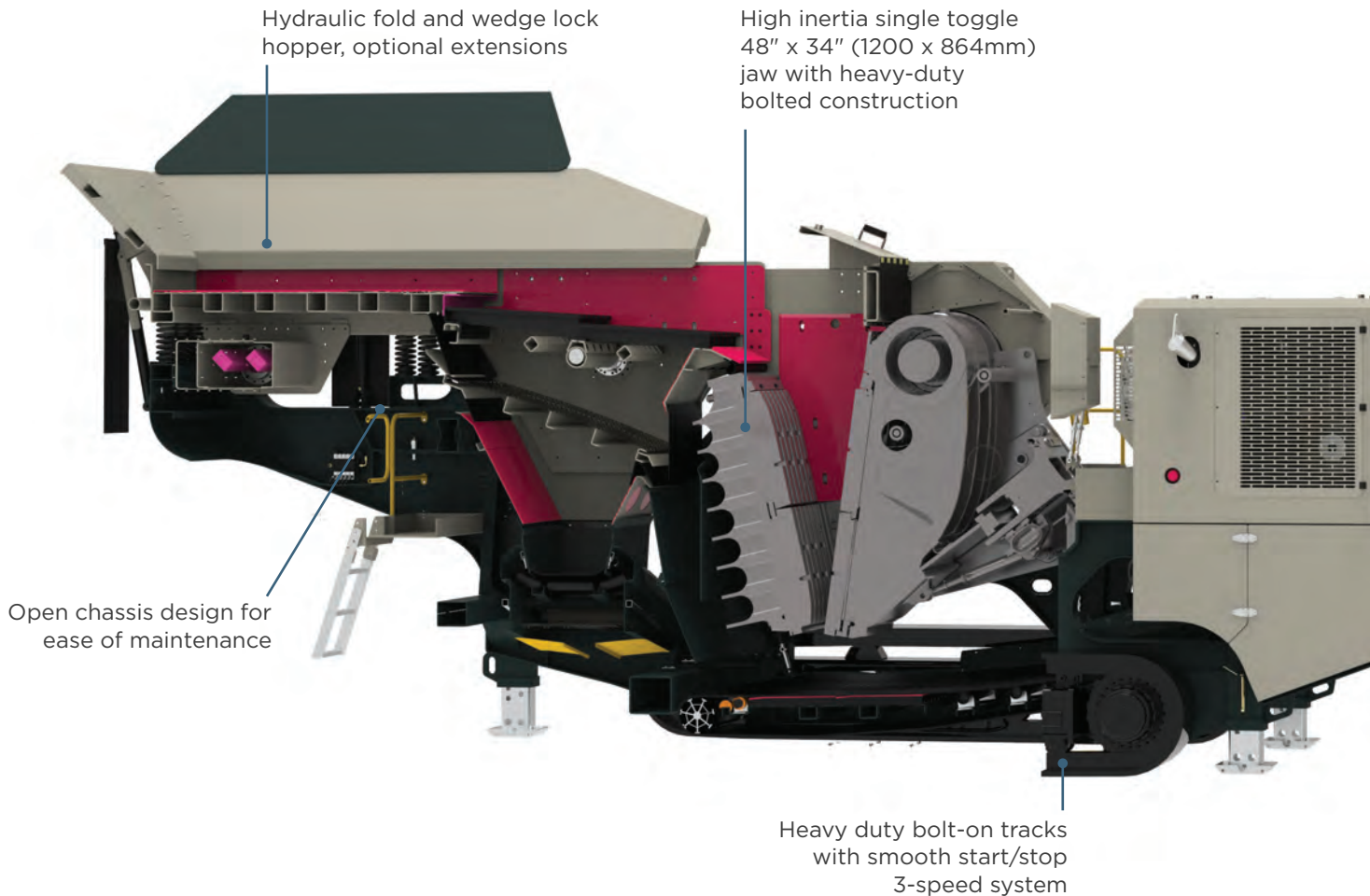
THE **1200j** POWERS
HEAVY DUTY CRUSHING
AND SAVINGS.

**LIPPMANN**

Electric Track-Mounted Jaw Crusher

1200j

Get a true edge on the job site with the 1200j electric heavy duty track-mounted jaw crusher, which strikes the perfect balance of reducing electric power operation costs while increasing reliability. With a 75" (1905mm) deep jaw chamber, this go-to crusher tackles the toughest applications in mining, aggregate, and recycling. Rely on the 1200j for smooth operation and maximum throughput as Lippmann engineers have optimized the material flow and jaw chamber design for high productivity.

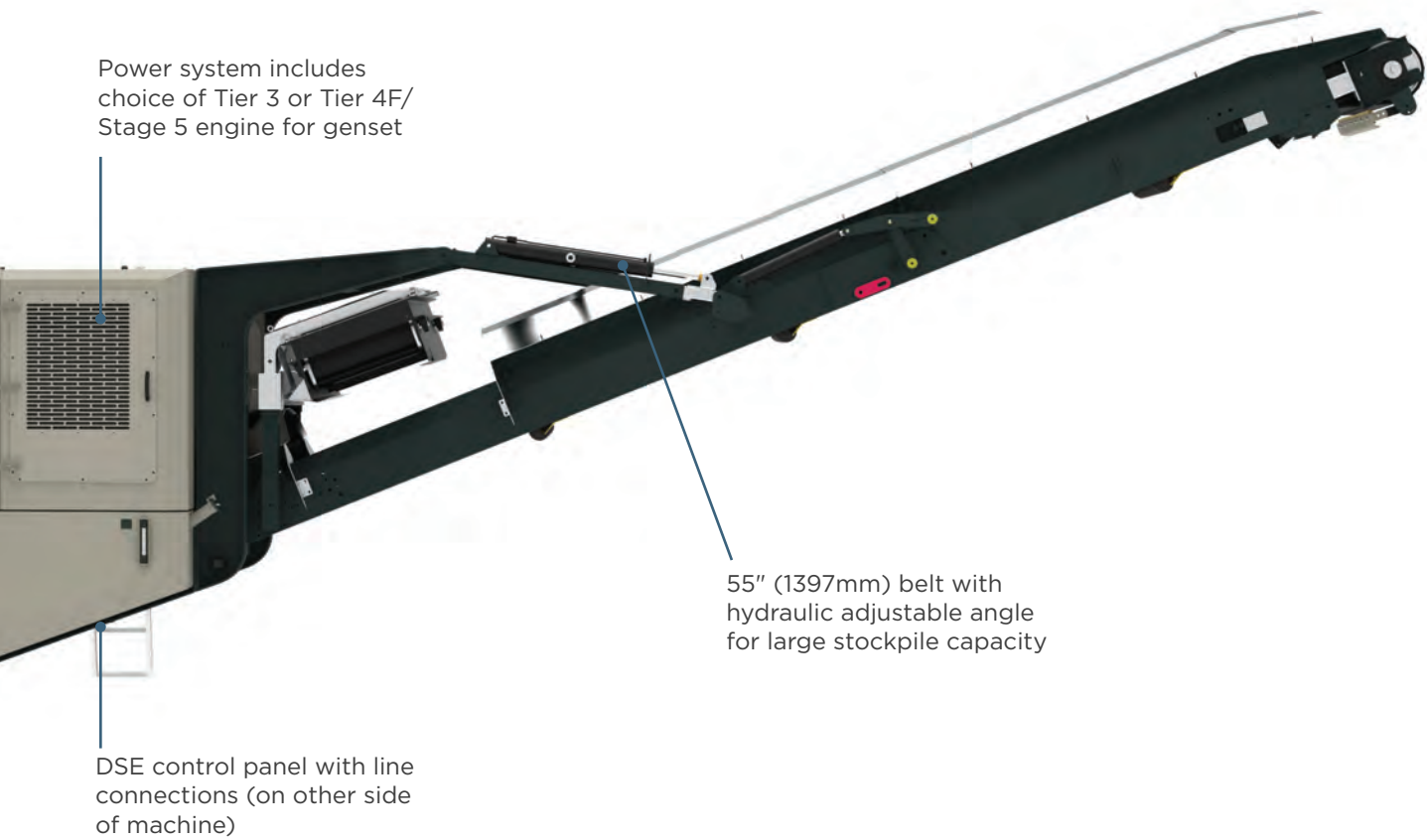


JAW STANDARD FEATURES

- Optimized material flow with high TPH
- Large gap between crusher discharge and main conveyor belt
- Wide main and side conveyors
- 48" x 34" jaw opening
- Single toggle jaw accommodates large feed sizes
- Closed side setting adjustment with hydraulic wedges
- Electric power
- Line power connection standard
- Connect to line power or onboard generator
- Simplified troubleshooting
- High performance standard features
- 12" DSE control panel
- High volume fuel tank
- Heavy duty bolt-on tracks

OPTIONS

- Quarry jaw die (square profile)
- Super teeth jaw die (wave profile)
- Deflector plate under jaw
- Rock hammer
- 2" aperture Bofor
- Overband magnet with hydraulic raise and lower
- Rubber base liners in pan feeder
- Rubber hopper side liners
- Hopper extensions
- Refueling pump
- Work lights
- Water pump and dust suppression system



Power system includes choice of Tier 3 or Tier 4F/ Stage 5 engine for genset

55" (1397mm) belt with hydraulic adjustable angle for large stockpile capacity

DSE control panel with line connections (on other side of machine)



Deep 75" (1.91m) jaw chamber with single toggle design accommodates hard rock applications and large feed sizes. Also features closed side setting adjustment with hydraulic wedges.



Double deck grizzly pre-screen featuring hydraulic fold and wedge lock hopper, and optional cassettes - punch plate or fingers.



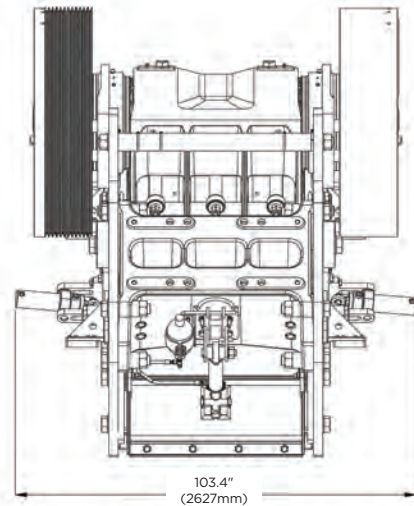
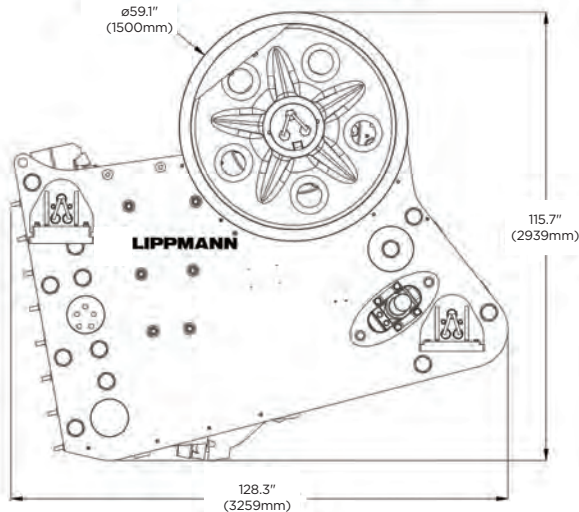
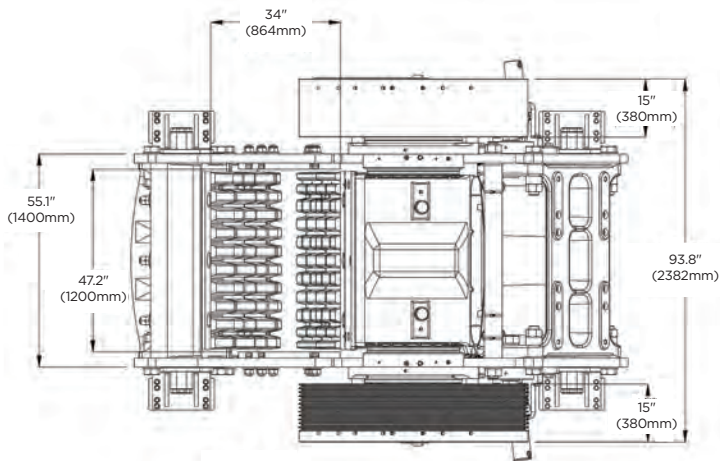
The large gap between crusher discharge and main conveyor belt, paired with wide main and side conveyors result in an optimized material flow.

CLOSED SIDE SETTING (CSS)

	2.75	3.125	3.5	4	5	6	7
inches	2.75	3.125	3.5	4	5	6	7
mm	70	79	89	102	127	152	178
STPH	195-295	215-295	235-330	260-360	315-435	375-515	430-595
MTPH	177-240	195-268	213-299	236-327	286-395	340-467	390-540

CRUSHING CHAMBER

	US	METRIC
Feed opening - WxD	48" x 34"	1200 x 964mm
Crusher speed	230 rpm	3.83 Hz
Crusher stroke	1.46"	37mm
Crusher drive	Hydraulic V-belts	Hydraulic V-belts
Minimum opening	2.8"	70mm
Maximum opening	8.3"	212mm
Maximum feed size	27.5"	700mm
Crusher weight - bare	61.730 lbs	28,000kg
CSS adjustment	Hydraulic wedges	Hydraulic wedges
Motor	WEG 220hp 6 Pole	160kW
Starter - includes unblock software	WEG VSD	WEG VSD



BENEFITS OF ELECTRIC

Electric Power Decreases
Costs, Increases Reliability



THE LIPPMANN EDGE

Electric operation on select jaw plant models is the latest in a long line of Lippmann innovation since 1923. Designed with the customer in mind, these electric jaw crushers cost less to run while taking reliability to new levels.

- Line power connection standard
- Connect to line power or on-board generator
- Electrical connections provide simplified troubleshooting
- Reliable 12" (305mm) DSE control panel
- Push-button control of jaw, track, and feeder functions



**SAFETY AT EVERY STEP,
FROM THE FACTORY FLOOR
TO THE JOB SITE.**

STANDARD SAFETY FEATURES:

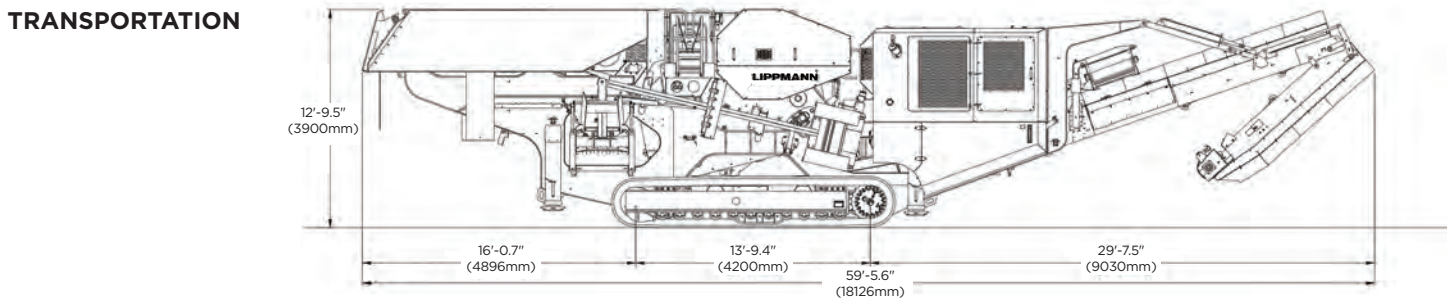
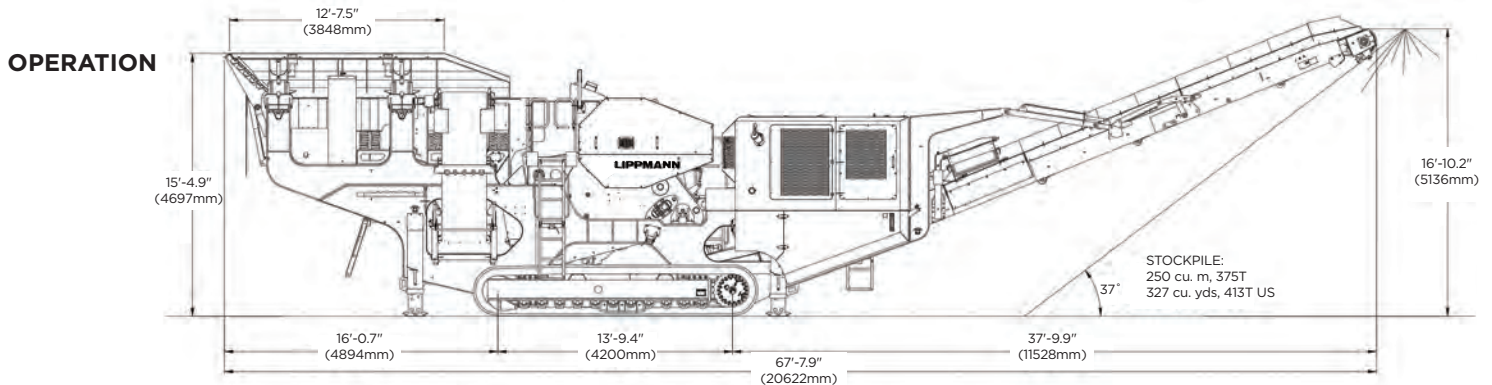
- Engine safety shutdown systems
- Full safety guarding on all nip points
- Tagout capability on isolator
- External belt alignment points
- External grease points
- Startup siren with 10-second delay
- Emergency stops: 4 off, 2 feeder, 2 power unit

1200j ELECTRIC TRACK-MOUNTED JAW CRUSHER PLANT

TRANSPORTATION		
	US	METRIC
Length	58' 10.6"	17.96m
Width	10' 2"	3.10m
Height	12' 9.5"	3.90m
Weight (Estimated)*	164,240 lbs	74,500kg

*includes magnet and dirt conveyor

POWERUNIT AND ELECTRICS/HYDRAULICS		
	US	METRIC
Engine option 1	CAT C9.3B Tier 4F/Stage 5, 416 Hp	CAT C9.3B Tier 4F/Stage 5, 310kW
Engine option 2	CAT C9.3B Tier 3, 416 Hp	CAT C9.3B Tier 3, 310kW
Engine speed	1500 rpm - 50Hz, 1800 rpm - 60Hz	1500 rpm - 50Hz, 1800 rpm - 60Hz
Generator	WEG GTA31 420Kva	WEG GTA31 420Kva
Hydraulic powerpack pump	Rexroth A10VO100	Rexroth A10VO100
Hydraulic powerpack motor	WEG 74 hp 4 pole, operates up to 121 hp maximum	WEG 55kW 4 pole, operates up to 90kW maximum
Flowrate maximum	40 GPM - 50Hz, 48 GPM - 60Hz	150 LPM - 50Hz, 180 LPM - 60Hz
Hydraulic tank capacity	79.25 gal	300L



AUTHORIZED DISTRIBUTOR

LIPPMANN

3271 East Van Norman Avenue
Cudahy, WI 53110

Lippmann-Milwaukee.com

800-648-0486