



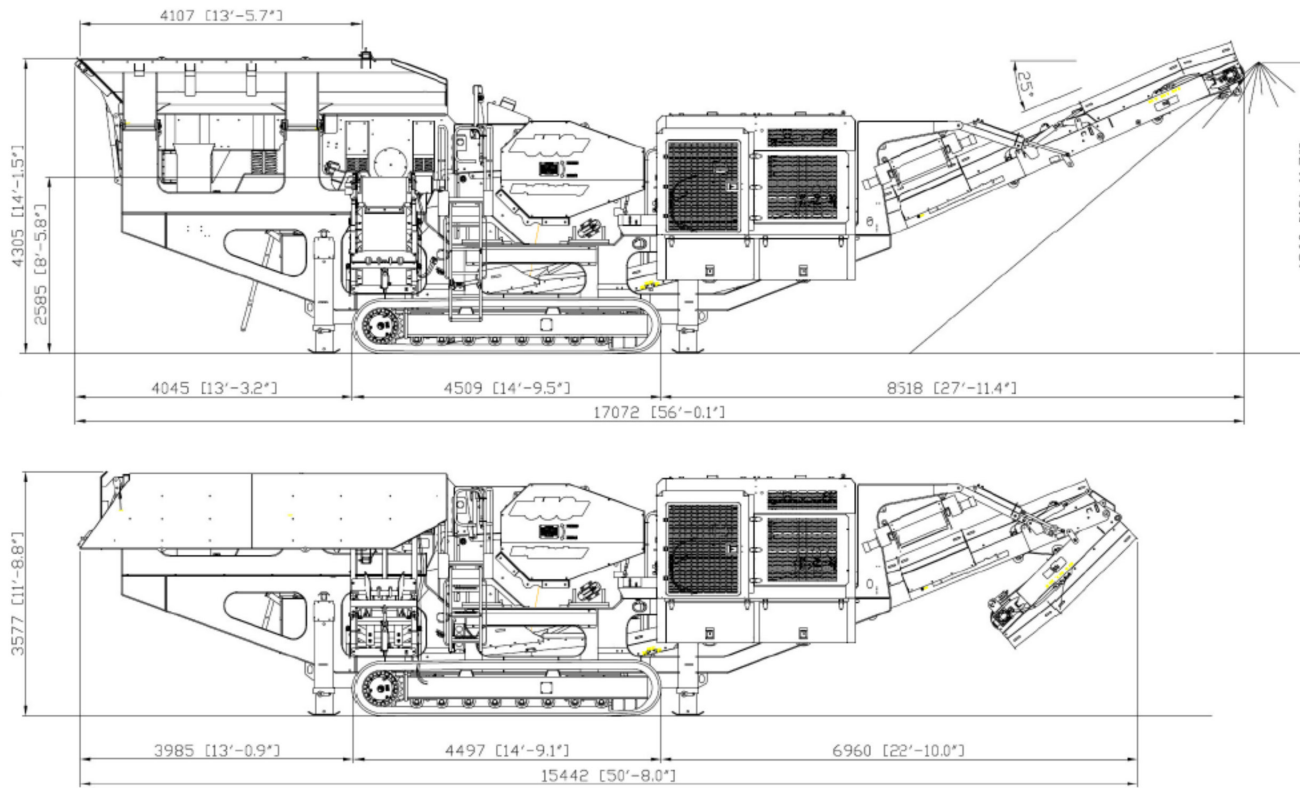
# LJ2950 JAW CRUSHING PLANT

Maximum productivity is delivered through the 50" x 29" single toggle jaw with speeds that lead to better reduction and material being processed faster through the crushing chamber. This plant has enhancements to the jaw box including heavier flywheels and optimization for all crushing applications. With a class-leading throughput, capacity and largest stockpile height in its category, the LJ2950 brings even more power and productivity together in one machine.

- 50" x 29" single toggle jaw
- 350Hp C9/C9.3 Cat engine
- Track or track c/w wheel bogie
- Integrated hydraulic folding hopper
- Integrated hydraulic folding stockpiling conveyors
- I-beam plate fabricated chassis construction
- Large gap between crusher discharge and main conveyor feedboot
- Open chassis design for ease of maintenance
- Fast setup time



# LJ2950



## SPECIFICATIONS

Jaw Crusher	29"x50"	Horsepower	Track
RPM	280	Diesel	Width
Feed Size	22.5"	Diesel Hp	Length
Discharge Conveyor	48"	Jaw	Height
Operating Speed	109	Grizzly Feeder	Weight
Feeder	50"x29"	Side Discharge (optional)	
Operating Speed	280	Discharge Conveyor	
Grizzly Length	56.2"	Diesel Tank Capacity	
		Hydraulic Tank Capacity	

Hydraulic toggle or manual toggle plate available.  
 \* Manual toggle plate option only.  
 Closed Side Setting (CSS) inches.

2.5	3	3.5	4	5	6
221	250	273	305	345	380

## ADDITIONAL OPTIONS

Pre-Screen	Overband Magnet	Diesel Refueling Pump
Hopper Extensions	Water Pump/Dust Suppression System	Closed Circuit Option

